

isca



Bring your
space to life

The Isca range is full of contemporary masterpieces, all featuring large glass viewing windows that showcase the full beauty of flickering flames.



Their modern design seamlessly integrates into stylish interiors, making them a perfect choice for those who appreciate both form and function.

Blending style and innovation, the Isca stoves are crafted with meticulous attention to detail, promising enduring quality and unparalleled aesthetic appeal.

When you choose an Isca stove, you're not just selecting a heating solution you're placing your trust in the engineering excellence of Hunter Stoves, a company with over 40 years of industry expertise. Each stove is built with the precision and reliability that only decades of experience can provide.

Opting for an Isca stove means bringing warmth, charm, and a touch of sustainability to the heart of your home. Embrace the elegance and functionality of these stoves and transform your living space into a haven of comfort and style.





isca

Transform your living space into a warm and inviting haven with the Isca 4 wood-burning stove.

This modern stove brings a touch of sophistication and unparalleled control to your home. With a single, discreet air control neatly placed beneath the door, you have the power to adjust the heat output to suit your preferences, ranging from a comforting 3kW to a toasty 5.5kW. It's all about finding that perfect balance, and this stove delivers just that.

Embrace the warmth and elegance of the Isca 4 stove, and let it become the heart of your home. Choose comfort, style, and sustainability all in one remarkable package.

WOOD-BURNING

ECO DESIGN 2022 APPROVED

SMOKE CONTROL AREA EXEMPT

ENERGY EFFICIENCY CLASS: A+

EFFICIENCY ON WOOD: 81%

HEAT OUTPUT RANGE: 3KW - 5.5KW

NOMINAL OUTPUT

4.5KW

ISCA 4 WOOD-BURNING STOVE



isca

The Isca 5 combines cutting-edge design with powerful performance, making it the perfect addition to any contemporary home.

The stove features intuitive air control mechanisms, allowing you to fine-tune combustion for optimal heat and minimal emissions, designed to minimise fuel consumption while maximising warmth.

With its combination of efficiency, eco-friendliness, and aesthetic appeal, the Isca 5 is the ideal choice for those looking to enjoy both warmth and sustainability without compromising on design.

WOOD-BURNING

ECO DESIGN 2022 APPROVED

SMOKE CONTROL AREA EXEMPT

ENERGY EFFICIENCY CLASS: A+

EFFICIENCY ON WOOD: 80%

HEAT OUTPUT RANGE: 4KW - 6KW

NOMINAL OUTPUT

5KW

ISCA 5 WOOD-BURNING STOVE



isca

The Isca 7 brings modern aesthetics and exceptional performance together, elevating the look and functionality of any space.

With a striking contemporary design, this stove enhances both the warmth and the style of your living space. This stove offers user-friendly controls and a large viewing window, you can easily monitor the flame, creating a cosy atmosphere with minimal maintenance required.

The Isca 7 is ideal for urban and smokeless areas and is exempt from smoke control regulations, allowing you to enjoy the benefits of wood-burning in restricted zones. Whether you're seeking efficient heating for a large room or a statement piece for your interior, the Isca 7 is built to deliver.

WOOD-BURNING

ECO DESIGN 2022 APPROVED

SMOKE CONTROL AREA EXEMPT

ENERGY EFFICIENCY CLASS: A+

EFFICIENCY ON WOOD: 81%

HEAT OUTPUT RANGE: 4KW - 7.5KW

NOMINAL OUTPUT

5KW

ISCA 7 WOOD-BURNING STOVE

WOOD-BURNING STOVES

isca

Options

The Isca range offers an array of additional accessories to match your home décor flawlessly. Choose from a wood plinth or a bench to suit your home's design. Whether you prefer the rustic charm of wood or the convenience of smokeless fuel, the optional multi-fuel kit enables you to adapt the stove to your burning desires.

Direct Air

The Isca range comes with the option of a direct air kit.

Multi-fuel

A multi-fuel conversion kit is available for the each stove in the Isca range.

Plinth

You can choose to have your Isca stove fitted on a log plinth, which raises it up off the floor and provides a handy place to store your wood. Stoves fitted on plinths can be installed on a 12mm hearth when freestanding.

Isca 4	H 150/225	W 400	D 357
Isca 5	H150/225	W 494	D 362
Isca 7	H 225	W 579	D 364



Interchangeable Flue Outlets

All the stoves featured in the Isca range can be flued from either the top or the rear of the stove.



Airwash

This cutting-edge system enhances stove functionality by drawing air from the upper section, heating it within a dedicated chamber, and then directing it downwards behind the glass door. This creates a protective barrier

between the fire and the glass. As a result, smoke and combustion particles are prevented from coming into contact with the glass surface, ensuring it remains pristine and transparent.

Bench

All Isca stoves have the option of being fitted on a bench. There is a choice of two lengths, 800mm and 1,195mm long. Both are at a height of 345mm and a depth of 415mm. Stoves fitted on benches can be installed on a 12mm hearth when freestanding.

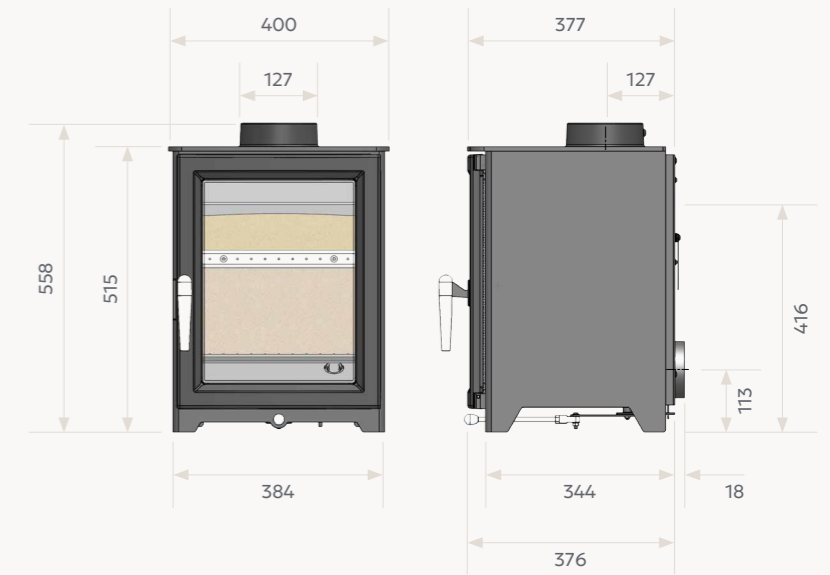


Technical Information

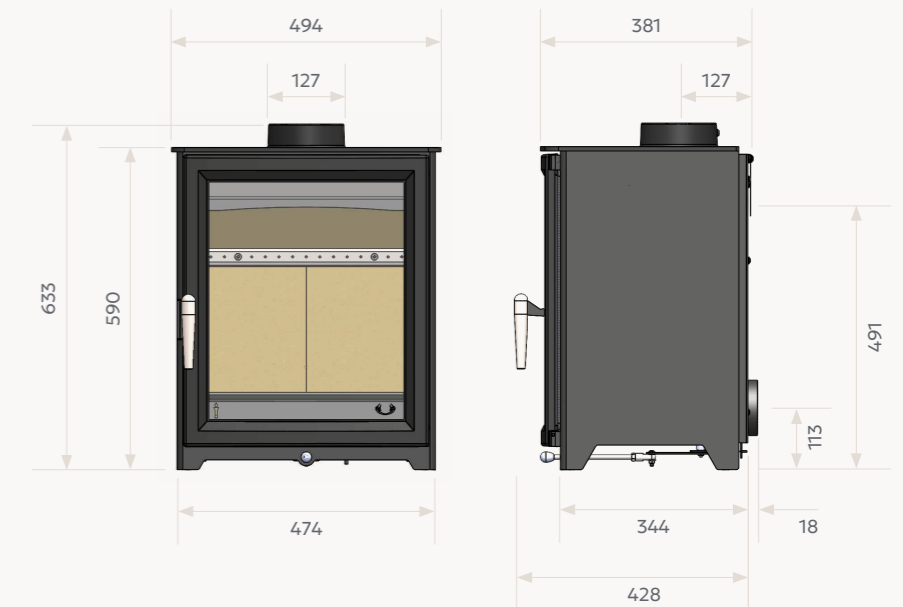
	ISCA 4	ISCA 5	ISCA 7
Single Door Option:	Yes	Yes	Yes
Double Door Option:	No	No	No
Grate & Ashpan:	Yes	Yes	Yes
Nominal Heat Output to Room:	4.5kW	5kW	5kW
Heat Output Range:	3kW - 5.5kW	4kW - 6kW	4kW - 7.5kW
Energy Efficiency Rating:	A+	A+	A+
Efficiency on Wood:	81%	80%	81%
CO Emissions, at 13% O ₂ :	0.10%	0.11%	0.11%
Flue Outlet:	5"	5"	5"
Weight:	69kg	79kg	86kg
Fuel:	Wood	Wood	Wood
Eco Design 2022 Approved:	Yes	Yes	Yes
DEFRA Smoke control exempt:	Yes	Yes	Yes
Cleanburn Technology:	Yes	Yes	Yes
Airwash for Glass:	Yes	Yes	Yes
Direct Air Kit Option:	Yes	Yes	Yes
Clearance Distances to Combustible Materials (mm) rear*:	125mm	125mm	125mm
Clearance Distances to Combustible Materials (mm) side:	500mm	600mm	500mm
Clearance Distances to Combustible Materials (mm) above:	450mm	450mm	450mm

*with heat shield raised

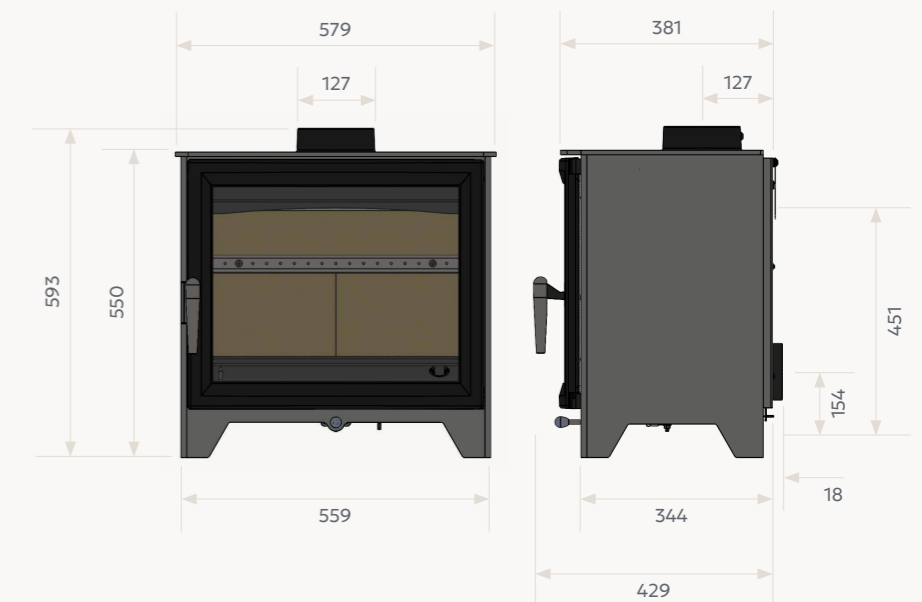
Dimensions ISCA 4



ISCA 5



ISCA 7



All measurements in mm



SUSTAINABLE WARMTH: OUR COMMITMENT

Choosing a stove from Hunter Stoves Group means more than just adding a reliable and cosy heat source to your home; it signifies a commitment to a sustainable future. We've formed a meaningful partnership with Ecologi, an organisation focused on real climate action. Each month, we contribute to both tree planting initiatives and other climate positive projects, aligning with Ecologi's ambitious goal to halve global CO2 emissions by 2040. As you enjoy the comforting warmth of your Isca or Westleigh stove, you can also take comfort in knowing that your choice supports broader environmental stewardship. You can track these contributions and their impact through our dedicated page on Ecologi's website ecologi.com/hunterstovesgroup

ECO DESIGN TECHNOLOGY

Our stoves' dependable performance has been enhanced to ensure our products meet the demands of the modern world. Now featuring Eco Design technology, the Isca and Westleigh stoves continue to offer the warmth and comfort you've come to love, whilst surpassing the latest environmental standards.



DEFRA APPROVED

If you reside in certain areas of the UK, you may be familiar with the restrictions imposed by the Clean Air Act, particularly for those in designated Smoke Control Areas. Violating this act could result in a fine up to £1000.

However, our stoves offer an exception to this rule. They have been designed to produce minimal smoke and have therefore received an exemption from DEFRA's Clean Air Regulations. This permits you to burn wood in our approved stoves, even if your home is within a Smoke Control Area or Smokeless Zone.

The technology within our stoves maintains consistently low emissions, complying fully with the guidelines set by the Department for the Environment, Food & Rural Affairs. If your residence is located in a Smoke Control Area, you will find our stoves not only meet regulatory standards but in fact exceed them meaning you can enjoy the comfort of a wood-burning fire without compromising on environmental responsibility.

CREDENTIALS

Independently CE & UKCA Tested and Approved – Hunter Stoves have been independently certified meeting the stringent CE & or CA requirements.



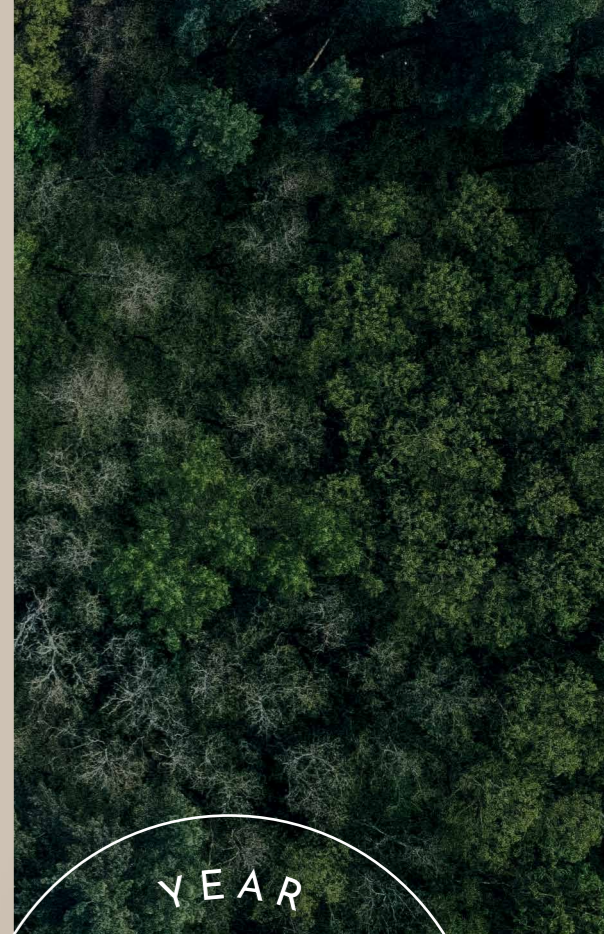
Eco Design 2022 Approved



Defra Approved



CLEANBURN Technology



Any appliance bought through the showroom of an authorised Hunter Stoves Group dealership will automatically be covered by our standard 2 year conditional guarantee.

This standard 2 year warranty can be extended to a 10 year conditional warranty for our wood-burning stoves and 5 years for our boiler stoves. For full warranty specifications and terms and a list of authorised stockists, please visit hunterstoves.co.uk.

WESTLEIGH

Technical Information

Westleigh 5
Slimline Single &
Double Door

Grate & Ashpan:	Yes
Nominal Heat Output to Room:	4.9kW
Heat Output Range:	4kW - 6.5kW
Energy Efficiency Rating:	A
Efficiency on Wood:	76%
CO Emissions, at 13% O2:	0.09%
Flue Outlet:	5"
Weight:	92kg
Fuel:	Wood
Eco Design 2022 Approved:	Yes
DEFRA Smoke control exempt:	Yes
Cleanburn Technology:	Yes
Airwash for Glass:	Yes
Direct Air Kit Option:	Yes
Clearance Distances to Combustible Materials (mm) rear:	200mm
Clearance Distances to Combustible Materials (mm) side:	450mm
Clearance Distances to Combustible Materials (mm) above:	450mm

Airwash

This cutting-edge system enhances stove functionality by drawing air from the upper section, heating it within a dedicated chamber, and then directing it downwards behind the glass door. This creates a protective barrier between the fire and the glass. As a result, smoke and combustion particles are prevented from coming into contact with the glass surface, ensuring it remains pristine and transparent.

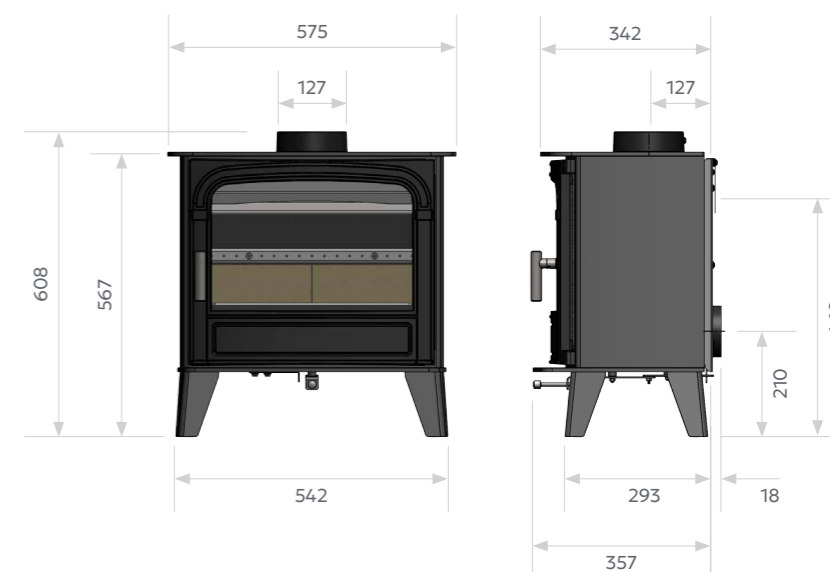
Grate & Ashpan

Equipped with a grate and ash pan, the Westleigh range offers hassle-free maintenance and is perfect for those looking for a simple way to remove ash from their stove. These built-in features enhance combustion efficiency and ease of use.

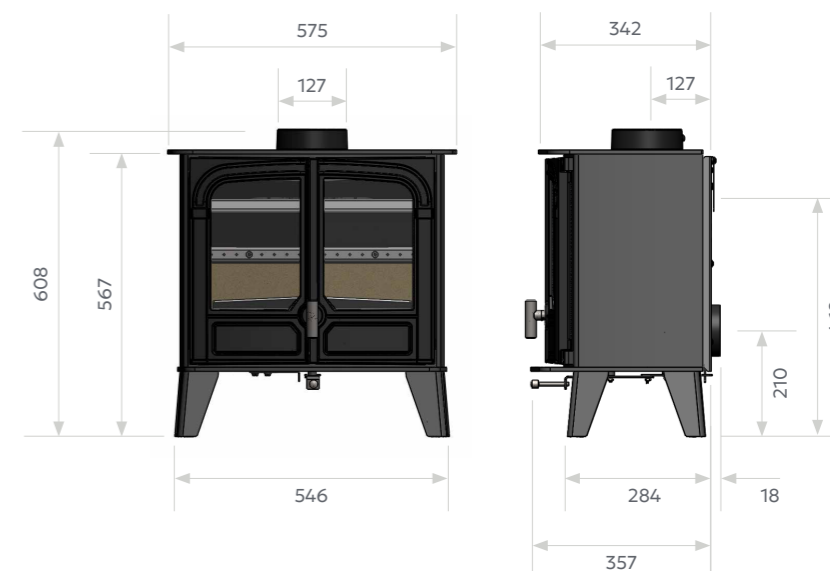


Dimensions

Westleigh 5
Slimline
Single Door



Westleigh 5
Slimline
Double Door



All measurements in mm

Westleigh 5 Slimline Double Door

WESTLEIGH



The Westleigh Slimline 5 Double Door stove is the perfect blend of traditional charm and modern functionality.

Designed to offer both aesthetic appeal and efficient performance, this stove is ideal for smaller spaces or those seeking a sleek, compact heating solution. Equipped with integrated grate and ashpan for easy cleaning and efficient burning to ensure you maintain optimal performance.

It has intuitive controls for precise regulation of airflow, allowing you to adjust the stove's heat output to your desired level of warmth and comfort. The Westleigh Slimline 5 Double Door stove is an ideal choice for those looking to enjoy both efficiency and elegance in their heating system.

WOOD-BURNING

INBUILT GRATE & ASHPAN

ECO DESIGN 2022 APPROVED

SMOKE CONTROL AREA EXEMPT

ENERGY EFFICIENCY CLASS: A

EFFICIENCY ON WOOD: 76%

HEAT OUTPUT RANGE: 4KW - 6.5KW

NOMINAL OUTPUT

4.9KW

WESTLEIGH



The Westleigh stove boasts a timeless design with a wide landscape viewing window. This stove provides a classic charm that suits any setting, whether you live in an historic country cottage or a modern townhouse. The Westleigh's expansive window not only showcases the flames but also serves as a captivating focal point, enhancing the ambiance of your home.

Opting for a Westleigh stove means bringing warmth, charm, and a touch of sustainability to the heart of your home. Embrace the elegance and functionality of this stove and transform your living space into a haven of comfort and style.

WOOD-BURNING

INBUILT GRATE & ASHPAN

ECO DESIGN 2022 APPROVED

SMOKE CONTROL AREA EXEMPT

ENERGY EFFICIENCY CLASS: A

EFFICIENCY ON WOOD: 76%

HEAT OUTPUT RANGE: 4KW - 6.5KW

NOMINAL OUTPUT

4.9KW



Westleigh 5 Slimline

High-quality, efficient stoves that perfectly balance traditional and contemporary design.

The Westleigh 5 Slimline stoves are the ideal choice for those seeking high-quality, efficient heating solutions with a blend of classic and modern aesthetics. Their slimline shape delivers extensive heat output while maintaining a reduced depth, making them versatile additions to any room without sacrificing space.

The Westleigh 5 range offers superb controllability, ensuring you can easily manage the temperature to suit your comfort. Equipped with an easy-to-use stainless

steel handle, internal de-ashing grate and ashpan as standard, these stoves are designed for straightforward and hassle-free maintenance. Whether installed into fireplace openings or placed freestanding against a wall, these modern yet traditional wood-burning stoves will be prominent features in any setting.

Their timeless design and practical functionality make the Westleigh 5 Slimline range a perfect addition to both classic and contemporary interiors.



WESTLEIGH



Where
heritage
meets style.